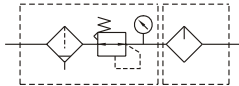


MACT400 series

AIR UNITS (F.R.L.UNIT)



Symbol:



Order example:

MACT400 - 8A - - BSP

MODEL

BORE SIZE

8A: PT 1/4

10A: PT 3/8

15A: PT 1/2

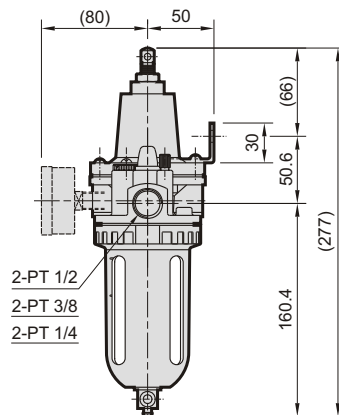
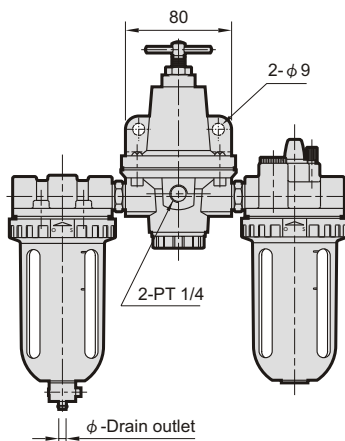
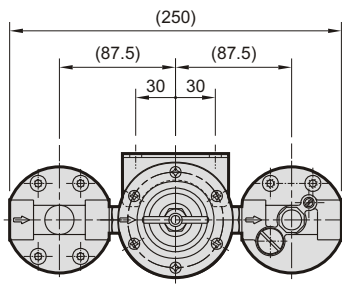
D: auto drain valve (FMRF 300)

PORT THREAD

Blank: PT thread

BSP: BSP thread

NPT: NPT thread



Specification:

| Model | MACT400 | | |
|-----------------------------|---|-------------------|-------------------|
| Components | MAF400, MAR400, MAL400 | | |
| Bore No. | 8A | 10A | 15A |
| Port size | PT 1/4 | PT 3/8 | PT 1/2 |
| Medium | Air | | |
| Operating pressure range | 0~9.9 kgf/cm ² (0~0.99 MPa) | | |
| Proof pressure | 15 kgf/cm ² (1.5 MPa) | | |
| Effective orifice | 24mm ² | 35mm ² | 40mm ² |
| Regulation pressure range | 0.5~8.5 kgf/cm ² (0.05~0.85 MPa) | | |
| Ambient temperature | -5~+60°C (No freezing) | | |
| Filtration | Standard: 40 μm Option: 5 μm | | |
| Lubricating oil capacity | 200c.c | | |
| Min. Flow for oil drip | 50 ℓ/min | 200 ℓ/min | 400 ℓ/min |
| Recommended lubricating oil | Turbine oil ISO-VG32 | | |
| Attachment | Pressure gauge, bracket | | |
| Weight | 2000 g | | |

Flow feature:

